

WOB-L™

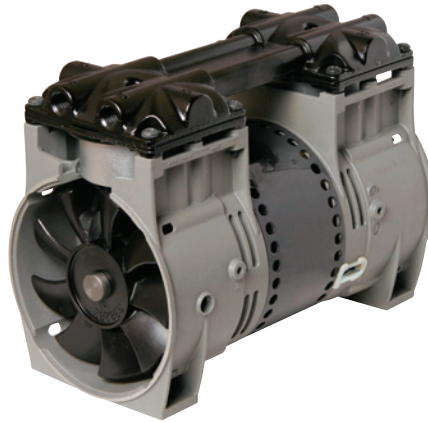


2665/2685 SERIES

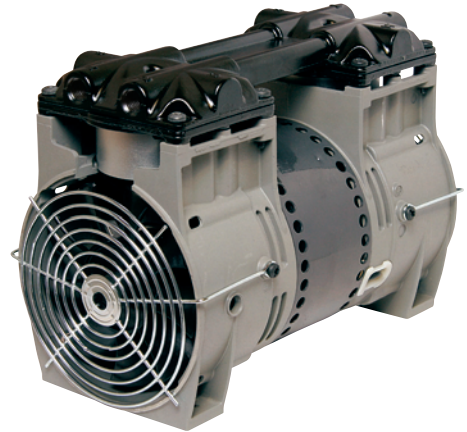
MODELS

Models based on availability and minimum purchase.

2665PE40
2665PHI44
2685PE40
2685PHI44



2665



2685

FEATURES

- Oil-less, non-lube piston and cylinder
- Permanently Lubricated Ball Bearings
- Stainless steel valves with patented recessed inlet valve
- Lightweight die cast aluminum
- Thermally protected motor
- Continuous duty
- Field Service Capability
- Twin fans provide cooling air thru and around motor and cylinders
- Intake Filter
- Capacitor included
- Pressure relief valve included
- All wetted aluminum parts epoxy coated for corrosion protection from moisture
- 2685 Series are identical to 2665 except with the addition of a fan guard

Consult factory for custom applications

ISO 9001
CERTIFIED

THOMAS
A Gardner Denver Product

2665 & 2685 Series Performance Data

MODEL NUMBERS		2665PE40 2685PE40		2665PHI44 2685PHI44	
HEAD CONFIGURATION		Pressure		Pressure	
STROKE		.400 Inches		.440 Inches	
PRESSURE		Flow @ 115v		Flow @ 220v	
CFM @ PSI	LPM @ bar				
PSI	bar	CFM	LPM	CFM	LPM
0	0	3.68	104.2	3.23	91.5
20	1.0	3.20	94.0	2.76	81.5
40	2.0	2.64	82.7	2.21	70.4
60	3.0	2.18	71.5	1.77	59.5
80	5.0	1.75	62.5	1.35	41.2
100	7.0	1.42	54.0	1.00	31.1
MAX. CONTINUOUS PRESSURE		100 PSI	7.0 bar	100 PSI	7.0 bar
MAX. INTERMITTENT PRESSURE		120 PSI	8.3 bar	120 PSI	8.3 bar
MAX. AMBIENT AIR TEMP.		104° F	40°C	104° F	40°C
MIN. AMBIENT START TEMP.		50° F	10°C	50° F	10°C
MAX. RESTART PRESSURE		100 PSI	6.9 bar	100 PSI	6.9 bar
MOTOR VOLTAGE/FREQUENCY		115/60/1		220/240/50/1	
MOTOR TYPE		Permanent Split Capacitor		Permanent Split Capacitor	
CURRENT AT RATED LOAD (AMPS)		5.8		2.5	
POWER AT RATED LOAD (WATTS)		660		545	
STARTING CURRENT (LOCKED ROTOR, AMPS)		14.6		14.6	
CAPACITOR VALUE		35 mfd		12.5 mfd	
MIN. FULL LOAD SPEED (RPM)		1700		1435	
THERMAL PROTECTOR		Yes		Yes	
NET WEIGHT		16.0 lbs.	7.3 kg	16.0 lbs.	7.3 kg

T04-0495

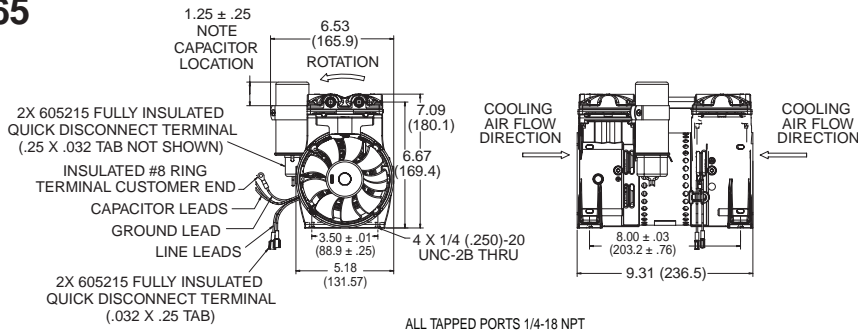
T04-0555

The information presented in this material is based on technical data and test results of nominal units. It is believed to be accurate and reliable and is offered as an aid to help in the selection of Thomas products. It is the responsibility of the user to determine the suitability of the product for his intended use and the user assumes all risk and liability whatsoever in connection therewith. Thomas Industries does not warrant, guarantee or assume any obligation or liability in connection with this information.

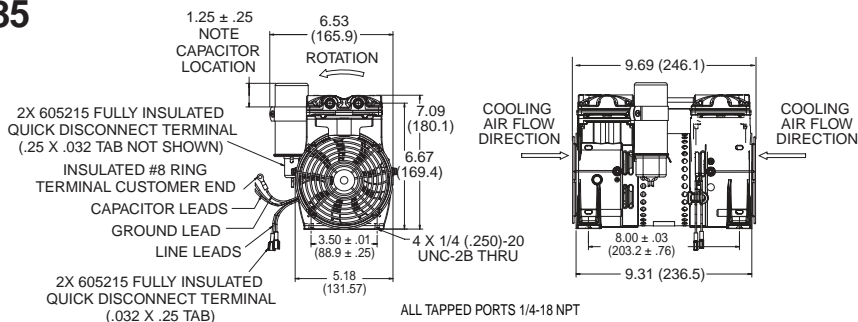
NOTE: Models pictured are representative of the series and do not represent a specific model number. Consult factory for detailed physical description.

NOTE: The 2685 Series has the same performance but includes metal an guard.

2665



2685



THOMAS
A Gardner Denver Product